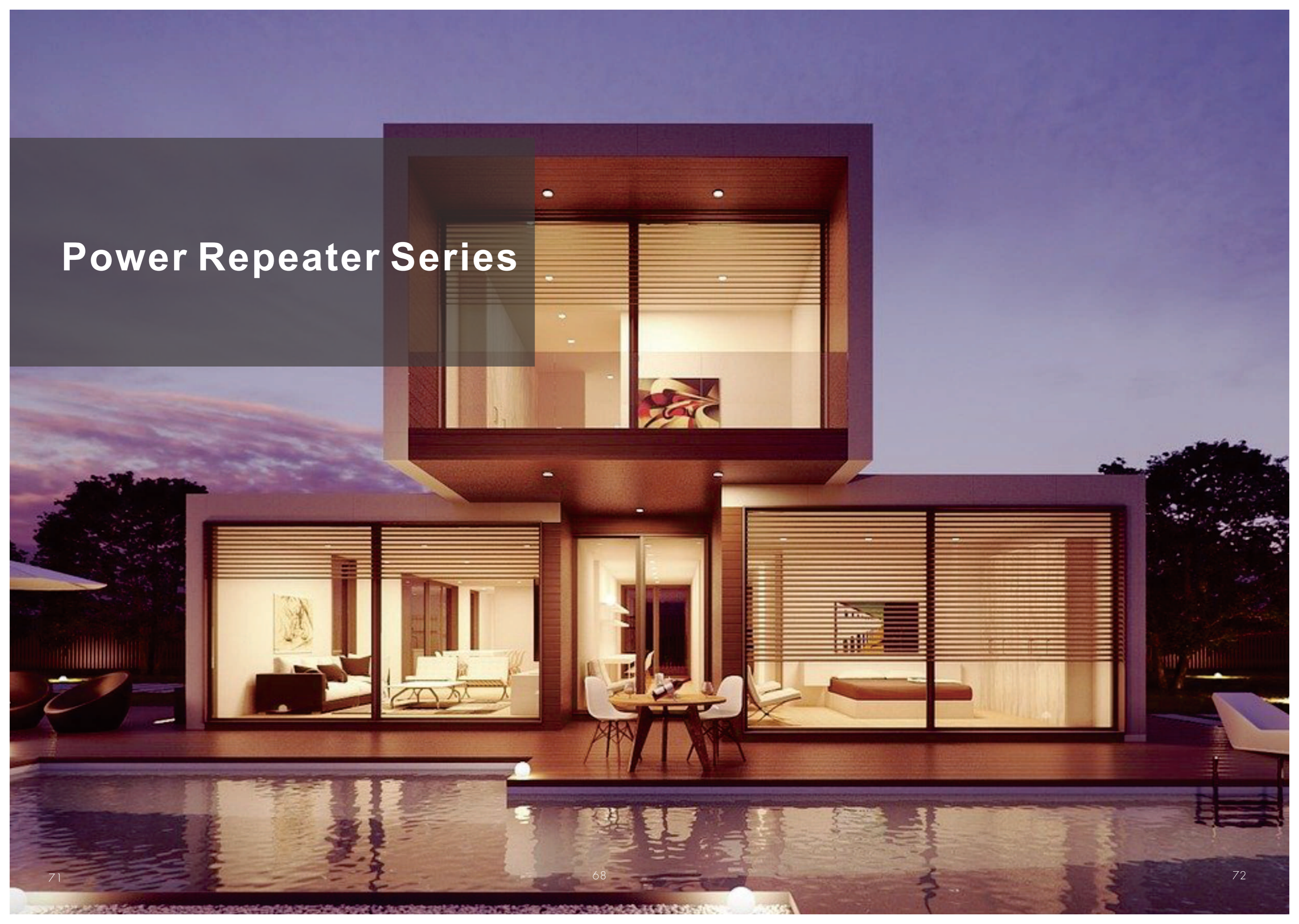
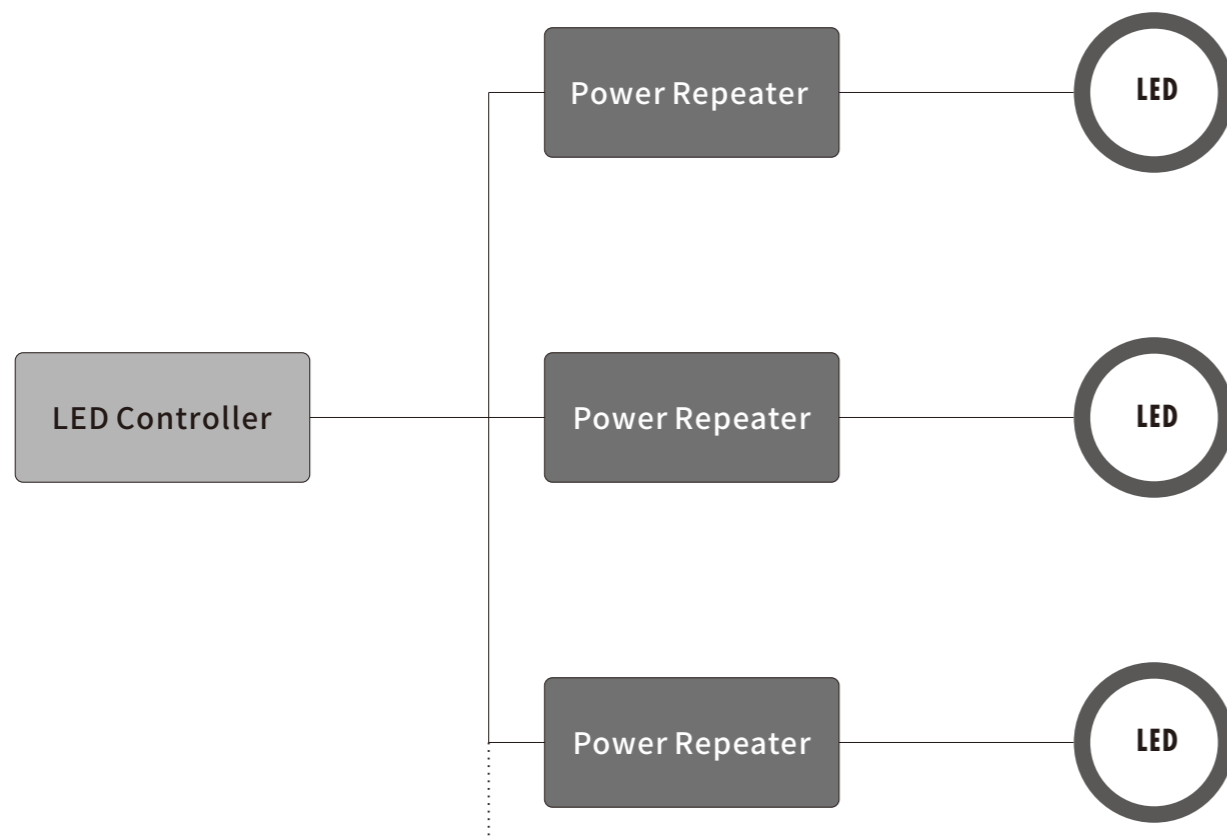


Power Repeater Series



Power Repeater Series



Power Repeater Series



Due to the voltage drop of constant voltage LED lights, in the LED lighting control system, as the transmission distance increases and the load cascade increases, the LED power supply driving ability is insufficient. The brightness at the end of the lamp drops significantly, which affects the consistency of the LED lamp output. By using a power repeater, accepting constant voltage PWM signal control to expand the output of the constant voltage controller Power to achieve synchronous control effect. Each PWM constant voltage controller can theoretically connect an unlimited number of constant voltage power repeater in series or parallel to control more monochrome, color temperature, RGB, RGBW And RGB+CCT constant voltage LED lights.

SKYDANCE constant voltage power repeater series adopt DC12/24/36/48/60V constant voltage led driver, 1/2/3/4/5 channel PWM constant voltage signal input, 1/2/3/4/5 channel PWM Constant voltage power 3KV photoelectric isolation between output, input and output. The constant voltage power repeater needs to be used with RF constant voltage controller, DMX constant voltage decoder, DALI PWM constant voltage dimmer, etc.

1 Channel Power Repeater



Mode	Input Voltage	Output Current	Output Power	Size
EV1	5-36VDC	1CH, 8A/CH	5V<40W, 12V<96W, 24V<192W, 36V<288W	L97*W33*H18mm
EV1-S	12-24VDC	1CH, 15A/CH	12V<180W, 24V<360W	L175*W45*H27mm
EV1-X	12-24VDC	1CH, 30A/CH	12V<360W, 24V<720W	L107*W75*H24.5mm



SKYDANCE

■ Power Repeater Series



2 Channel Power Repeater



Mode	Input Voltage	Output Current	Output Power	Size
EV2-M	12-24VDC	2CH, 6A/CH	60-120W	L54*W15mm
EV2-M	12-24VDC	2CH, 6.5A/CH	12V<72W, 24<144W	L64*W23.5*H8.5mm
EV2	12-36VDC	2CH, 8A/CH	12V<192W, 24<384W, 36V<576W	L175*W45*H27mm

3 Channel Power Repeater



Mode	Input Voltage	Output Current	Output Power	Size
EV3	12-36VDC	3CH, 6A/CH	12V<216W, 24<432W, 36V<648W	L175*W45*H27mm
EV3-H	12-60VDC	3CH, 5A/CH	180-900W	L175*W45*H27mm
EV3-X	12-36VDC	3CH, 10A/CH	12V<360W, 24V<720W, 36V<1080W	L107*W75*H24.5mm

4 Channel Power Repeater



Mode	Input Voltage	Output Current	Output Power	Size
EV4	12-24VDC	4CH, 4.5A/CH	48-96W	L54*W15mm
EV4	12-36VDC	4CH, 5A/CH	12V<240W, 24V<480W, 36V<720W	L175*W45*H27mm
EV4-H	12-60VDC	4CH, 5A/CH	240-1200W	L175*W45*H27mm
EV4-X	12-24VDC	4CH, 8A/CH	12V<384W, 24V<768W	L107*W75*H24.5mm
EV4-D	12-24VDC	4CH, 5A/CH	12V<240W, 24V<480W	L115*W48*H67mm
EV4-WP	12-36VDC	4CH, 5A/CH	12V<240W, 24V<480W, 36V<720W	L176*W78*H38mm
EC4(350mA)	12-48VDC	4CH, 350mA/CH	4x(1.05-16.1)W	L176*W78*H38mm
EC4(700mA)	12-48VDC	4CH, 700mA/CH	4x(2.1-32.2)W	L176*W78*H38mm

4 Channel Constant Current Power Repeater

5 Channel Power Repeater



Mode	Input Voltage	Output Current	Output Power	Size
EV5	12-24VDC	5CH, 5A/CH	12V<300W, 24V<600W	L107*W75*H24.5mm

